

# 1000 PRIMO COLLECTION ROBE HOOKS

**STRAIGHT CLEAN LINES**

sales@preferredbathinc.com

www.preferredbathinc.com

(336) 904-6248



## STRONG MODERN CONSTRUCTION

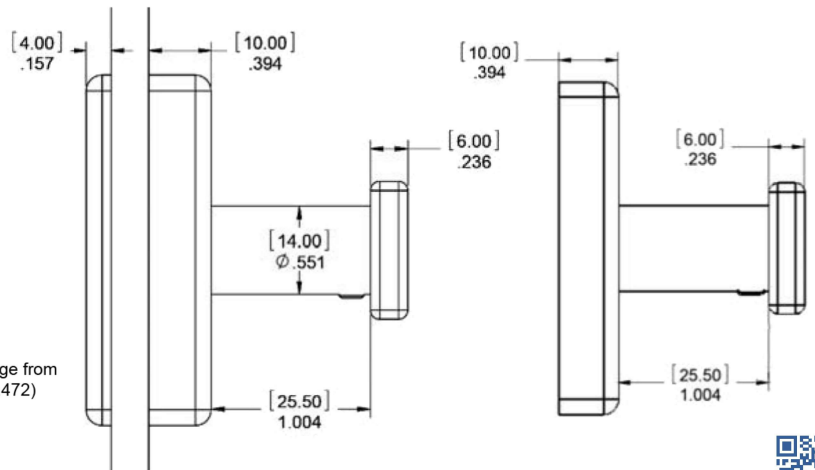
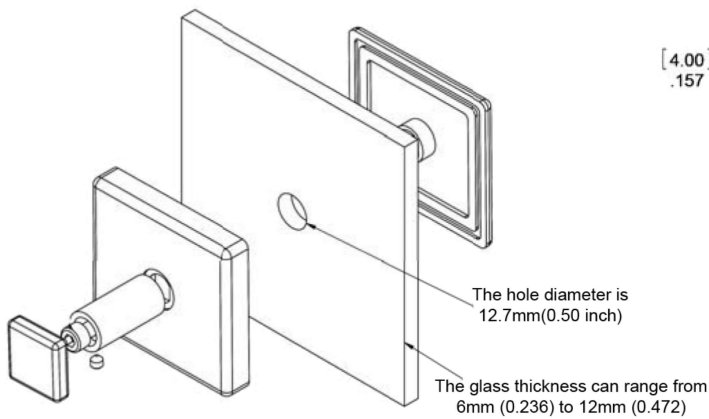
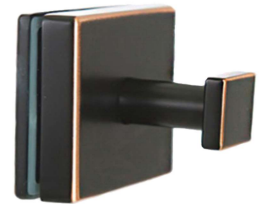
- SUPERIOR AND STRONG MOUNTING SYSTEM
- SILICONE WATERPROOFING GASKET

## HARDWARE INCLUDED

- ZINC DIE-CAST COVER FLANGE - 1
- ZINC DIE-CAST DECORATIVE BACK COVER - 1
- ZINC DIE-CAST ROBE HOOK - 1
- SILICONE GASKETS - 2
- ALL STAINLESS STEEL MOUNTING HARDWARE

| PART NUMBERS | FINISH            |
|--------------|-------------------|
| 1000-PC-GM   | POLISHED CHROME   |
| 1000-BN-GM   | BRUSHED NICKEL    |
| 1000-ORB-GM  | OIL RUBBED BRONZE |

## GLASS MOUNTED



## INSTALLATION:

Place decorative back cover into the pre-drilled hole in the glass. Slide cover and flange post onto the protruding shaft the secure with provided screw (DO NOT OVER TIGHTEN) Places cap onto post and secure with set screw.

**.50inch hole is required for installing this robe hook.**

## WOOD BLOCKING IS THE PREFERRED METHOD OF INSTALLATION

Limited Warranty:

Preferred Bath Accessories Inc. warrants to the purchaser that the product will be free from defects in material and workmanship. If the product does not comply with this warranty, Preferred Bath Accessories Inc. will repair or replace the product or, at Preferred Bath Accessories Inc's. option, refund the purchase price. The limited warranty period is for the lifetime of the product. Limitations on the Warranty: The warranty does not cover, normal wear and tear, product abuse, neglect, improper installation or maintenance. Purchaser Requirements: If this product does not meet Preferred Bath Accessories Inc's. warranty, return the product (postage prepaid) to the place of purchase with proof of purchase and a written claim briefly describing the defect. You may be required to provide other information or evidence of the defect.